

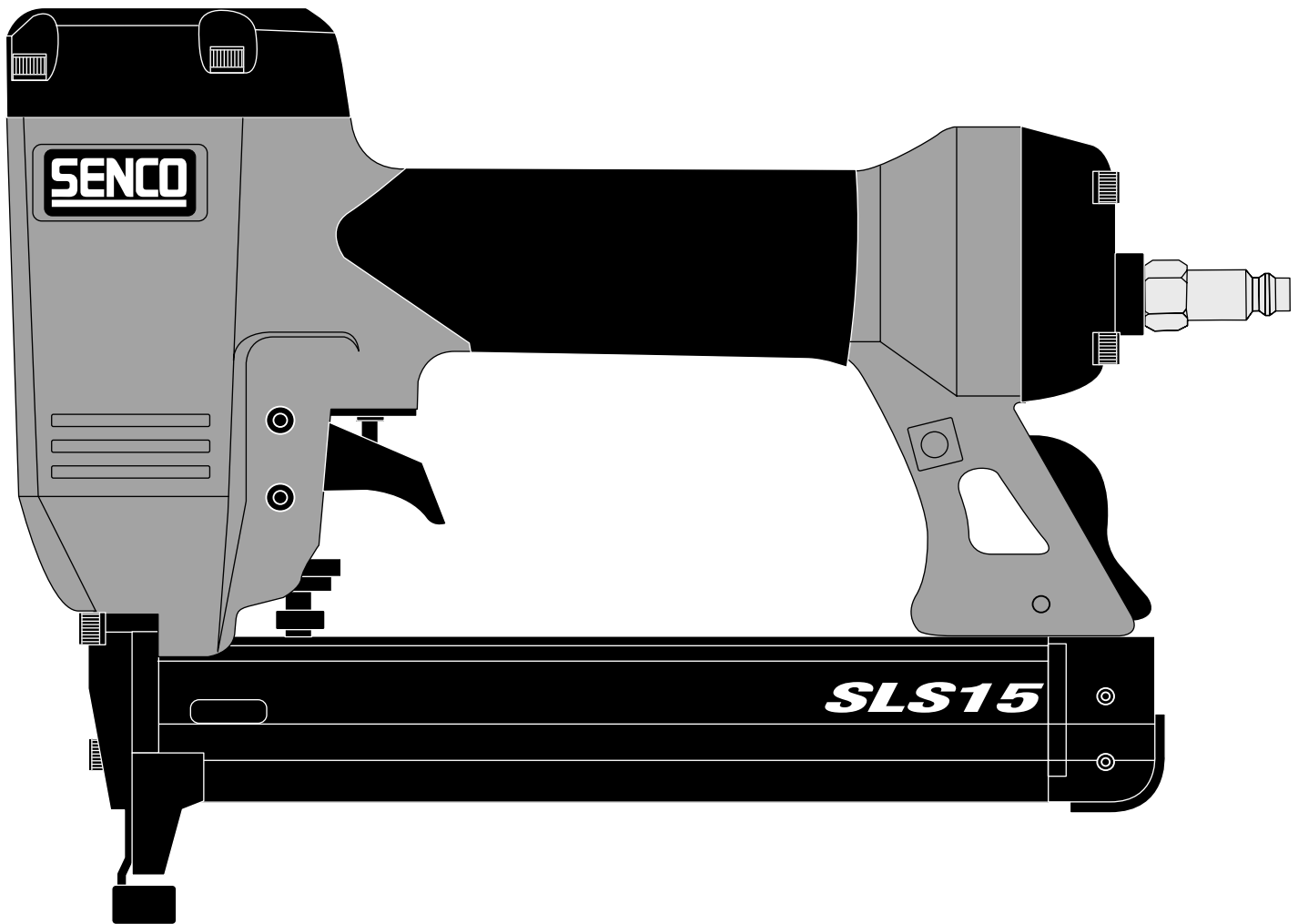
SLS15 18 ga. ***Finish Stapler***



Parts Reference Guide



***Repair Kit
YK0393***

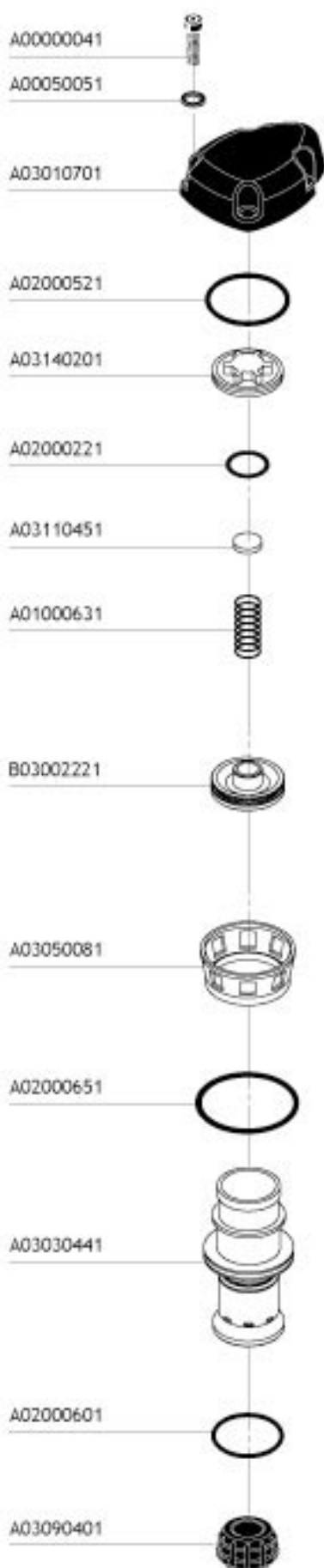


* Schematic Drawings inside

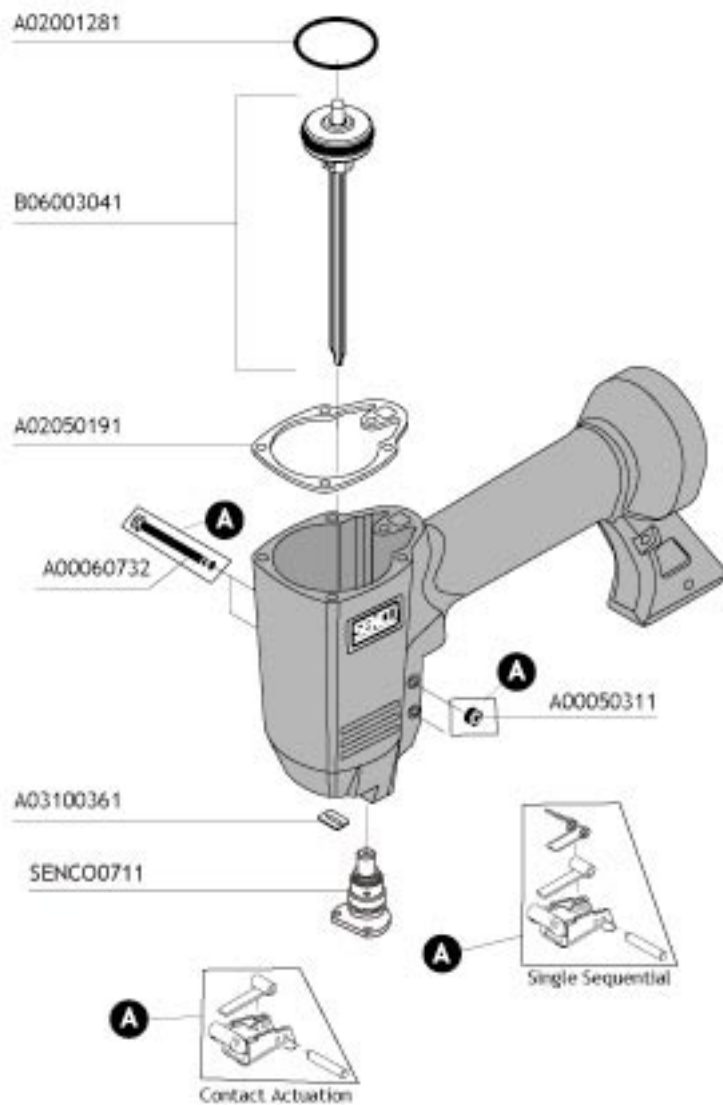
*Senco Products Inc.
8485 Broadwell Road
Cincinnati, Ohio 45244*

*Questions? Comments? call Senco's toll-free Action-line:
1-800-543-4596 (North and South America Only)
or e-mail: toolprof@senco.com*

Visit Our Website: www.senco.com



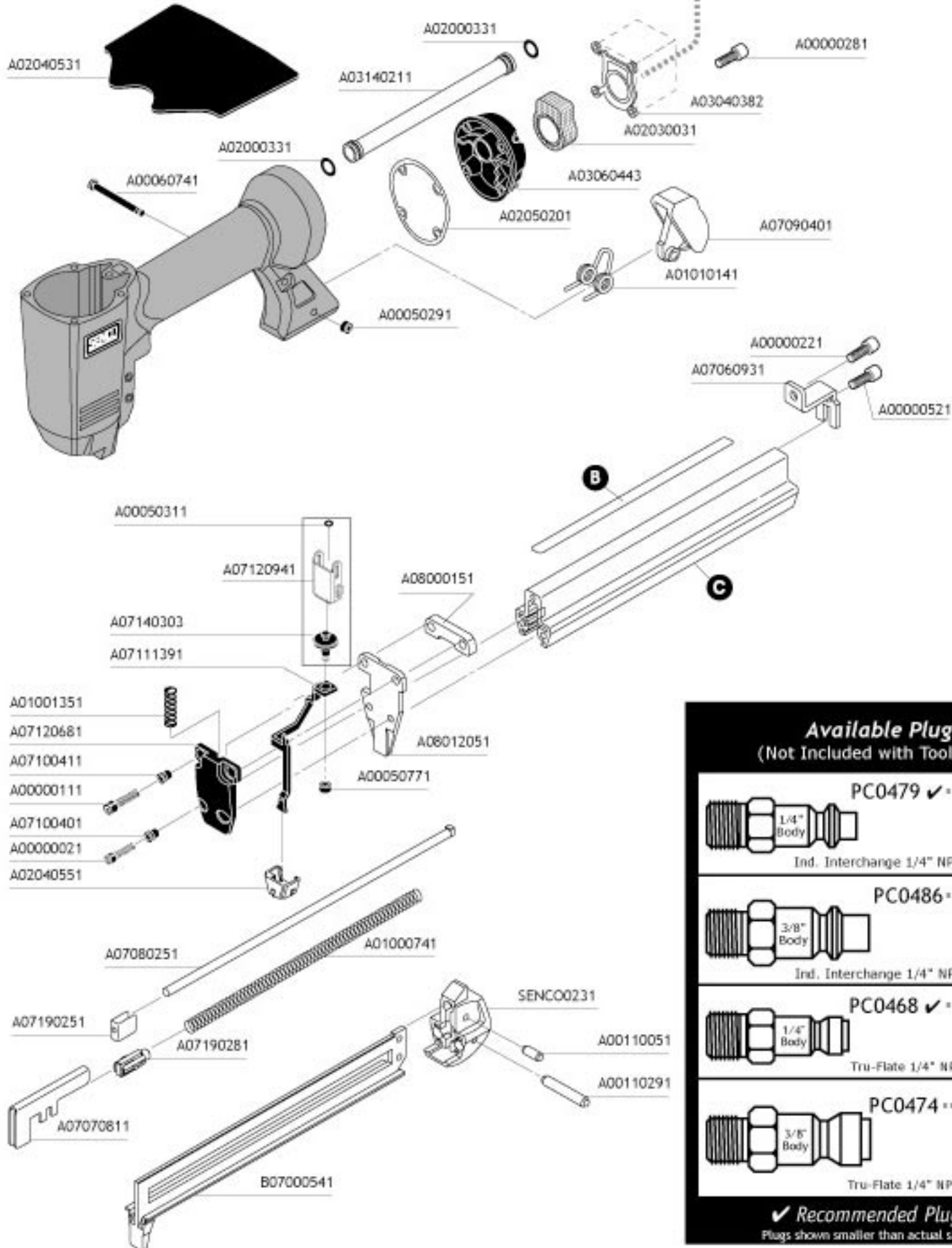
Tool #	Model
1V0001N	Single-Sequential (US)
1V0002N	Contact Actuation (US)
1V1001N	Single-Sequential (Japan)
1V2001N	Single-Sequential (Euro)
1V2002N	Contact Actuation (Euro)
1V3001N	Single-Sequential (AU)
1V3002N	Contact Actuation (AU)



Tool #	Model	A	B	C
1V0001N	Single-Sequential (US)	SENCO1101	A09230161	SENCO0291
1V0002N	Contact Actuation (US)	SENCO1111	A09230161	SENCO0291
1V1001N	Single-Sequential (Japan)	SENCO1101	A09230251	SENCO0371
1V2001N	Single-Sequential (Euro)	SENCO1101	A09230311	SENCO0331
1V2002N	Contact Actuation (Euro)	SENCO1111	A09230311	SENCO0331
1V3001N	Single-Sequential (AU)	SENCO1101	A09230161	SENCO0291
1V3002N	Contact Actuation (AU)	SENCO1111	A09230161	SENCO0291

SLS15

SENCO



NFG01Y Revised July 12, 2004 (Replaces 6/24/04) © 2002, 2004 by SENCO Products, Inc. Cincinnati, Ohio 45246-U.S.A.

Available Plugs (Not Included with Tool)

- PC0479 ✓**
1/4" Body
Ind. Interchange 1/4" NPT
- PC0486**
3/8" Body
Ind. Interchange 1/4" NPT
- PC0468 ✓**
1/4" Body
Tru-Flate 1/4" NPT
- PC0474**
3/8" Body
Tru-Flate 1/4" NPT

✓ **Recommended Plugs**
Plugs shown smaller than actual size

SLS15 18 ga. Finish Stapler

REPLACEMENT PARTS LIST • LISTA DE PARTES DE REPUESTO • ERSATZTEILE-LISTE • LISTE DE PIÈCES DE RECHANGE

PART NO.	DESCRIPTION	DESCRIPCIÓN	BESCHREIBUNG	DÉSIGNATION
A00000021	SCREW	TORNILLO	SCHRAUBE	VIS
A00000041	SCREW	TORNILLO	SCHRAUBE	VIS
A00000111	SCREW	TORNILLO	SCHRAUBE	VIS
A00000221	SCREW	TORNILLO	SCHRAUBE	VIS
A00000281	SCREW	TORNILLO	SCHRAUBE	VIS
A00000521	SCREW	TORNILLO	SCHRAUBE	VIS
A00050051	WASHER	ARANDELA	SCHEIBE	RONDELLE
A00050291	RETAINER	JUNTA TÓRICA	SICHERUNGSRING	RETENUE
A00050311	RETAINER	JUNTA TÓRICA	SICHERUNGSRING	RETENUE
A00050771	SHAFT RING	ANILLO	REIFEN	ANNEAU
A00060732	PIN	PASADOR	STIFT	GOUPILLE
A00060741	PIN	PASADOR	STIFT	GOUPILLE
A00110051	PIN	PASADOR	STIFT	GOUPILLE
A00110291	PIN	PASADOR	STIFT	GOUPILLE
A01000631	SPRING	RESORTE	FEDER	RESSORT
A01000741	SPRING	RESORTE	FEDER	RESSORT
A01001351	SPRING	RESORTE	FEDER	RESSORT
A01010141	SPRING	RESORTE	FEDER	RESSORT
A02000221	SEAL	SELLO	DICHTUNG	JOINT
A02000331	SEAL	SELLO	DICHTUNG	JOINT
A02000521	SEAL	SELLO	DICHTUNG	JOINT
A02000601	SEAL	SELLO	DICHTUNG	JOINT
A02000651	SEAL	SELLO	DICHTUNG	JOINT
A02001281	SEAL	SELLO	DICHTUNG	JOINT
A02030031	MUFFLER	SILENCIADOR	DÄMPFER	SILENCIEUX
A02040531	HANDLE GRIP	AGARRADERO	GRIFF	GAINÉ EN CUIR
A02040551	NO-MAR PAD	AMORTIGUADOR	SCHUTZ	COUSSIN
A02050191	SEAL	SELLO	DICHTUNG	JOINT
A02050201	SEAL	SELLO	DICHTUNG	JOINT
A03010701	CYLINDER CAP	TAPA	KAPPE	BOUCHON
A03030441	CYLINDER	CILINDRO	ZYLINDER	CYLINDRE
A03040382	COVER	CUBIERTA	ABDECKUNG	COUVERCLE
A03050081	RETAINER	JUNTA TÓRICA	SICHERUNGSRING	RETENUE
A03060443	COVER	CUBIERTA	ABDECKUNG	COUVERCLE
A03090401	BUMPER	AMORTIGUADOR	PUFFER	AMORTISSEUR
A03100361	WASHER	ARANDELA	SCHEIBE	RONDELLE
A03110451	SEAL	SELLO	DICHTUNG	JOINT
A03140201	EXHAUST VALVE SITE	ASAMBLE DE VÁLVULA	VENTIL-ZUSAMMENBAU	VALVE D'ASSEMBLÉE
A03140211	TUBE	TUBO	ROHR	TUBE
A07060931	MAGAZINE SUPPORT	SOPORTE	HALTERUNG	CAVALIER
A07070811	FEEDER SHOE	ALIMENTADOR	NAGELSCHIEBER	POUSSOIR
A07080251	GUIDE	GUÍA	FÜHRUNG	GUIDE
A07090401	LATCH	UNETA	VERSCHLUSS	DOIGT DE RETENUE
A07100401	INSERT	ACOPLAMIENTO	EINSATZ	INSERT
A07100411	INSERT	ACOPLAMIENTO	EINSATZ	INSERT
A07111391	SAFETY (YOKE) ELEMENT	ASAMBLE DE SEGURO	SICHERHEITSVORRICHTUNG	PALPEUR DE SÉCURITÉ
A07120681	COVER	CUBIERTA	ABDECKUNG	COUVERCLE
A07120941	PLATE	PLACA	PLATTE	PLAQUE
A07140303	SAFETY ADJUSTMENT WHEEL	MANIVELA	RÄNDELSCHRAUBE	MOLETTE
A07190251	STOP	TOPE	PUFFER	ARRÊT
A07190281	RETAINER	JUNTA TÓRICA	SICHERUNGSRING	RETENUE
A08000151	INSERT	ACOPLAMIENTO	EINSATZ	INSERT
A08012051	GUIDE	GUÍA	FÜHRUNG	GUIDE
A09230161	LABEL (US)	ETIQUETA	AUFKLEBER	ÉTIQUETTE
A09230251	LABEL (JAPAN)	ETIQUETA	AUFKLEBER	ÉTIQUETTE
A09230311	LABEL (EU)	ETIQUETA	AUFKLEBER	ÉTIQUETTE
B03002221	PISTON ASSEMBLY	ASAMBLE DE PISTON	KOLBEN-ZUSAMMENBAU	ENSEMBLE PISTON-COUTEAU
B06003041	PISTON ASSEMBLY	ASAMBLE DE PISTON	KOLBEN-ZUSAMMENBAU	ENSEMBLE PISTON-COUTEAU
B07000541	RAIL	CARRIL	SCHIENE	RAIL
SENCO0231	COVER	CUBIERTA	ABDECKUNG	COUVERCLE
SENCO0291	MAGAZINE ASSEMBLY (US)	ASAMBLE DE CARGADOR	MAGAZIN-ZUSAMMENBAU	ENSEMBLE MAGASIN
SENCO0331	MAGAZINE ASSEMBLY (EU)	ASAMBLE DE CARGADOR	MAGAZIN-ZUSAMMENBAU	ENSEMBLE MAGASIN
SENCO0371	MAGAZINE ASSEMBLY (JAPAN)	ASAMBLE DE CARGADOR	MAGAZIN-ZUSAMMENBAU	ENSEMBLE MAGASIN
SENCO0711	TRIGGER VALVE HEAD SET	ASAMBLE DE VÁLVULA	VENTIL-ZUSAMMENBAU	VALVE D'ASSEMBLÉE
SENCO1101	TRIGGER ASSY. (Single Sequential)	ASAMBLE DE GATILLO	AUSLÖSER	ENSEMBLE GÂCHETTE
SENCO1111	TRIGGER ASSY. (Contact)	ASAMBLE DE GATILLO	AUSLÖSER	ENSEMBLE GÂCHETTE