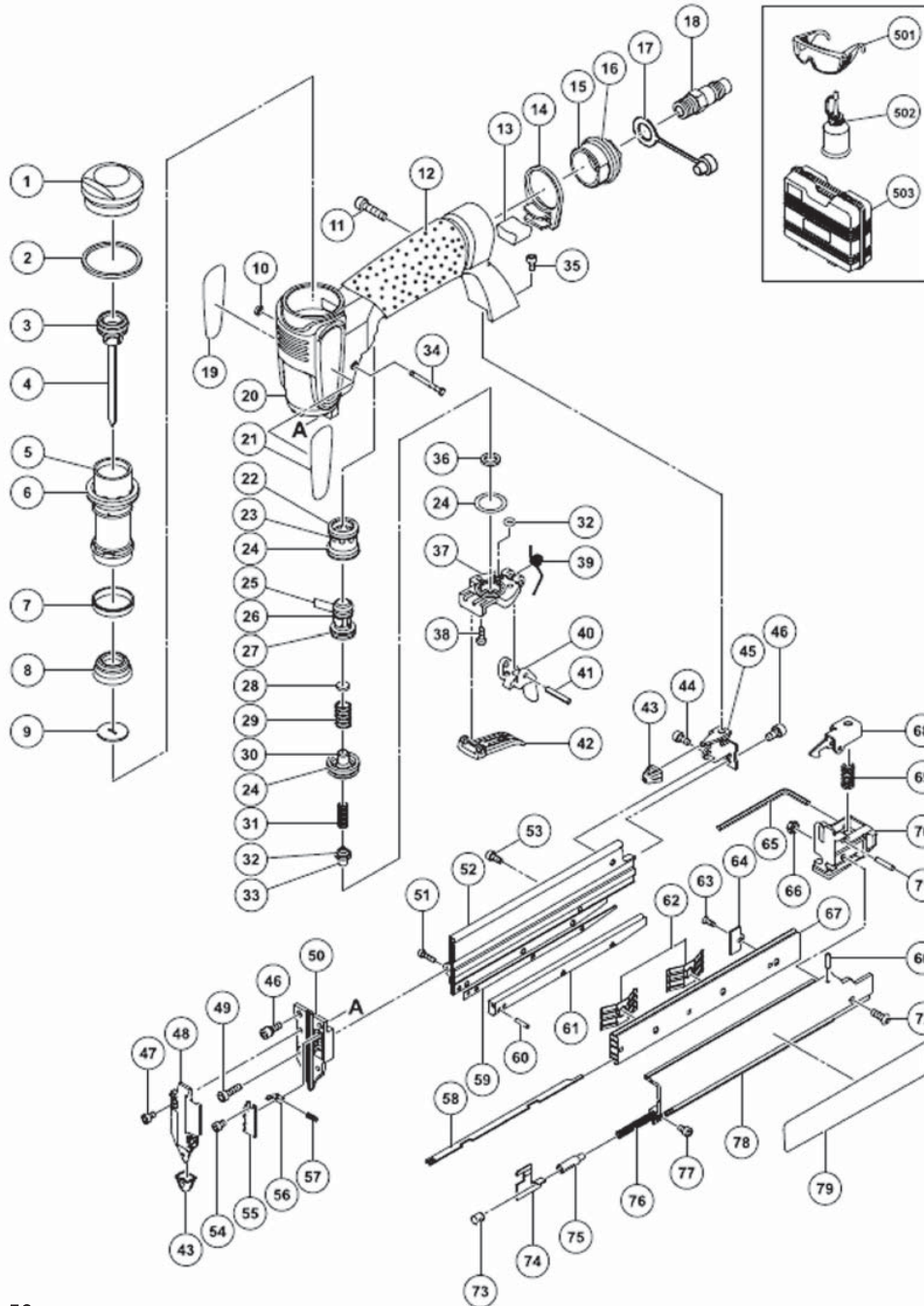


# NP35A

# Pin Nailer



## Parts

Item No.	Code No.	Description	No. Used	Remarks
1	887556	HEAD COVER	1.00	
2	884641	PACKING	1.00	
3	884642	O - RING	1.00	
4	884643	DRIVER UNIT	1.00	
5	884644	CYLINDER	1.00	
6	884645	O - RING	1.00	
7	884646	CYLINDER RING	1.00	
8	884647	BUMPER	1.00	
9	884648	DRIVER GUIDE	1.00	
10	887654	RETAINING RING	1.00	
11	887565	HEX.SOC.HD.BOLT M5x20	1.00	
12		RUBBER GRIP	1.00	Included in No. 20
13	884650	MUFFLER	1.00	
14	884651	GUIDE PLATE	1.00	
15	887562	END CAP	1.00	
16	884653	O - RING	1.00	
17	887563	DUST CAP	1.00	
18	887564	AIR PLUG	1.00	
19	887655	Hitachi Label (B)	1.00	
20	887561	BODY ASS'Y	1.00	Includes No. 12
21	877656	Hitachi Label (A)	1.00	
22	887558	O - RING	1.00	
23	884656	TRIGGER VALVE HEAD	1.00	
24	884657	O - RING	3.00	
25	884658	O - RING	2.00	
26	884659	VALVE PLUNGER	1.00	
27	884660	O - RING	1.00	
28	884661	CUSHION	1.00	
29	884662	SPRING	1.00	
30	884663	PLUNGER CAP	1.00	
31	884664	SPRING	1.00	
32	884665	O - RING	2.00	
33	884666	PLUNGER	1.00	
34	884655	TRIGGER PIVOT PIN	1.00	
35	887571	SEAL LOCK HEX.SOC.HD. BOLT M4x8	1.00	
36	884667	COLLAR	1.00	
37	884669	VALVE COVER	1.00	
38	887559	HEX.SOC.HD.BOLT	2.00	
39	884668	LOCK SPRING	1.00	
40	884670	LOCK LEVER	1.00	
41	887560	ROLL PIN D3X18	1.00	
42	884671	TRIGGER	1.00	
43	884681	NOSE CAP(A)	2.00	
44	887569	HEX.SOC.HD.BOLT (W/SP.WASHER) M4x8	1.00	
45	884682	BRACKET UNIT	1.00	
46	884676	BOLT(W/WASHER)M4x12	3.00	
47	887570	HEX.SOC.HD.BOLT M4x6	2.00	
48	884673	NOSE	1.00	
49	884675	SEAL LOCK HEX.SOC.HD. BOLT M4x14	1.00	
50	884677	BLADE GUIDE	1.00	
51	884678	SEAL LOCK HEX.SOC.HD. BOLT M3x10	3.00	
52	884679	MAGAZINE A	1.00	
53	884680	SCREW M4	1.00	
54	884674	HEX.SOC.HD.BOLT M3x4	1.00	
55	884683	STOPPER	1.00	

## NP35A

Item No.	Code No.	Description	No. Used	Remarks
56	884685	GUIDE LOCATOR	4.00	
57	884684	GUIDE LOCATING SPRING	4.00	
58	884686	SPACER	4.00	
59	884687	FLAT BAR	1.00	
60	887566	ROLL PIN D2X10	2.00	
61	884688	MAGAZINE B	1.00	
62	884689	SPRING PLATE	2.00	
63	884690	TAP BOLT M3x8	1.00	
64	884691	SPACER SAFETY COVER	1.00	
65	887573	HEX.BAR WRENCH 3MM	1.00	
66	887567	NYLON NUT M4	1.00	
67	884692	MAGAZINE COVER B	1.00	
68	884693	STOP LEVER	1.00	
69	884694	SAFETY SPRING	1.00	
70	884695	MAGAZINE COVER C	1.00	
71	887568	ROLL PIN D3X16	1.00	
72	884696	HEX.SOC.HD.BOLT (W/BUTTON) M4x12	1.00	
73	884697	ANCHOR BLOCK	1.00	
74	884698	PUSHER	1.00	
75	884699	SHAFT	1.00	
76	884700	PUSHING SPRING	1.00	
77	884701	SEAL LOCK HEX.SOC.HD. BOLT M3x6	1.00	
78	884702	MAGAZINE COVER A	1.00	
79	887657	NAME PLATE	1.00	
<b>Standard Accessories</b>			<b>NP35A</b>	
501	887574	SAFETY GLASSES	1.00	
502	877153	LUBRICANT OIL	1.00	
503	887572	CASE	1.00	